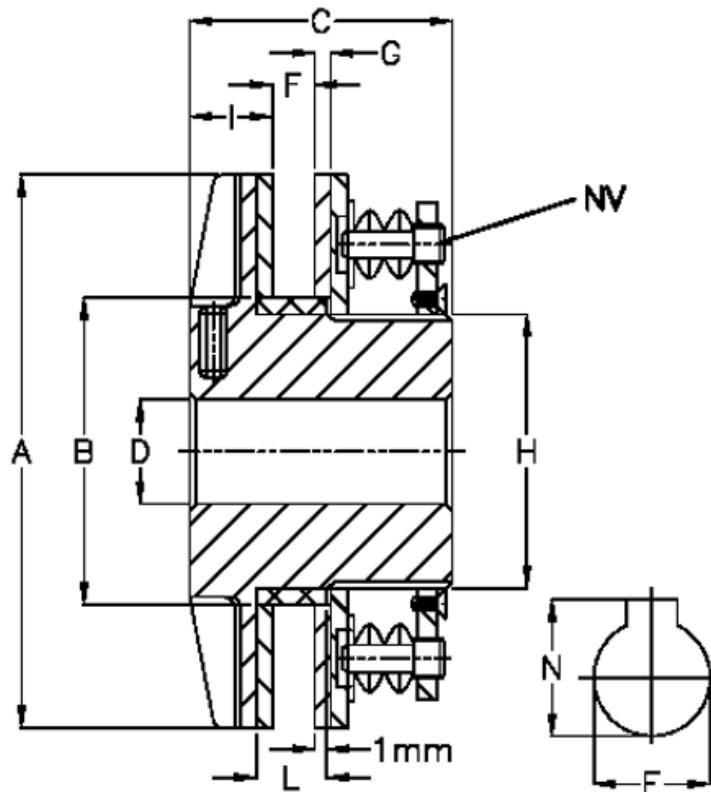


Article number: 4622006

Description: Securex torque limiter T 2200/200

Measures



A = 200	L	= 29
B = 120	Largest possible bore with slot according to DIN 6885/1, E max = 80	
C = 105	Largest possible bore with slot according to DIN 6885/1, N	= 85.4
D = 35	Largest possible bore with slot according to DIN 6885/3, E max = 80	
F = 25	Largest possible bore with slot according to DIN 6885/3, N	= 83.8
G = 5	Max torque Nm	= 2200
H = 110	Number of springs	= 24
I = 27	NV	= 10